

# 1 LABEL

a container with a Haverhill Recycles sticker.

## Recycle more, trash less

When you recycle more, you'll have less trash and won't need as many trash cans.

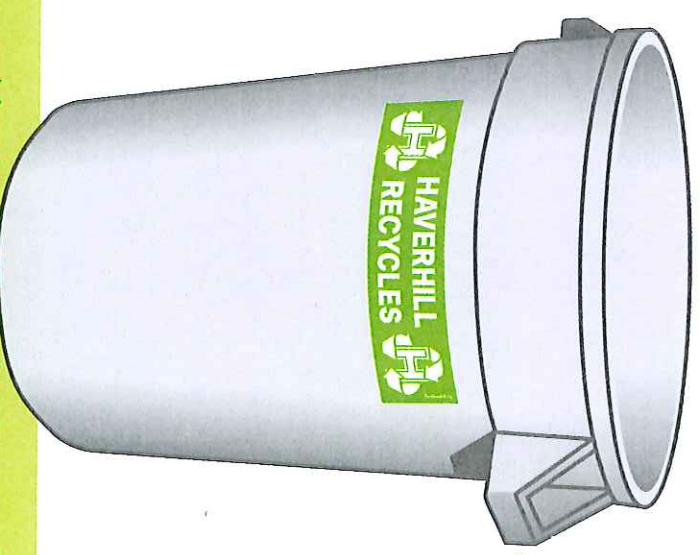
**Convert one of your trash cans into a recycling container** by labeling it with the Haverhill Recycles sticker.

Recycling stickers are available at Haverhill City Hall and the Haverhill Recycling Center at 500 Primrose Street.

You may also continue to use your small green bin.

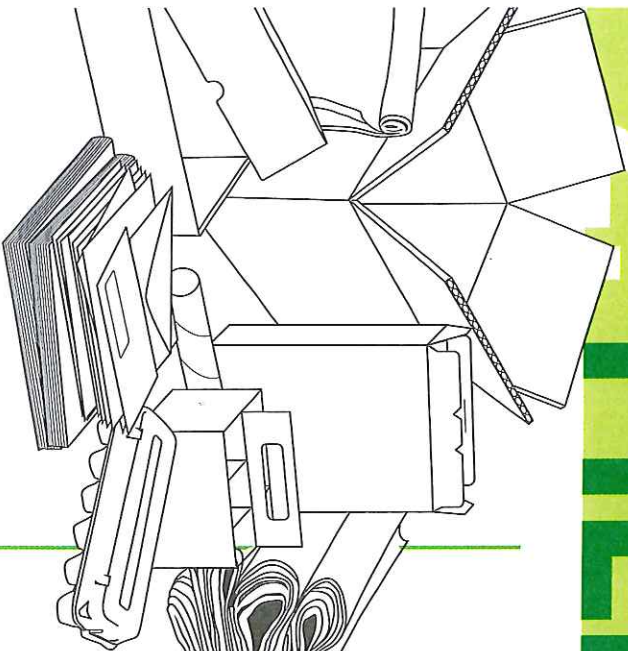
Most households will find it helpful to keep a smaller recycling container handy in or near the kitchen for daily use, then empty that bin into the larger, outdoor recycling container as needed.

**No sticker?** No problem. Just clearly mark the outside of your container so it can easily be identified as a recycling container.



Ponga una etiqueta en su contenedor que lea "Haverhill Recycles." Las etiquetas están disponibles en el Ayuntamiento de Haverhill y en el Centro de Reciclaje ubicado en el 500 de la calle Primrose. Si no tiene etiqueta, simplemente haga una y colóquela en el contenedor.

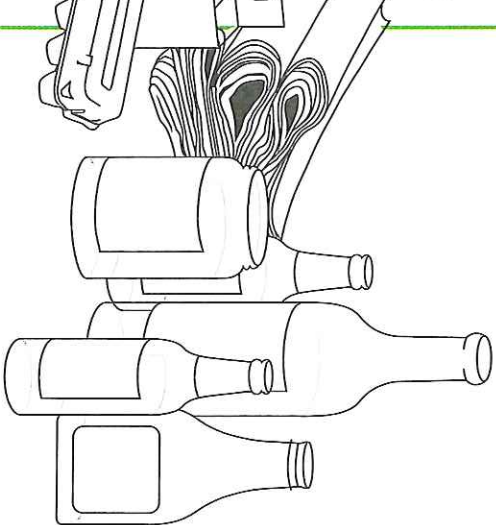
# 2 FILL your recycling container with the materials described below.



## Paper & Cardboard

White & colored paper, newspaper, catalogs, soft-cover books, mail, boxboard packaging, corrugated cardboard & paper bags.

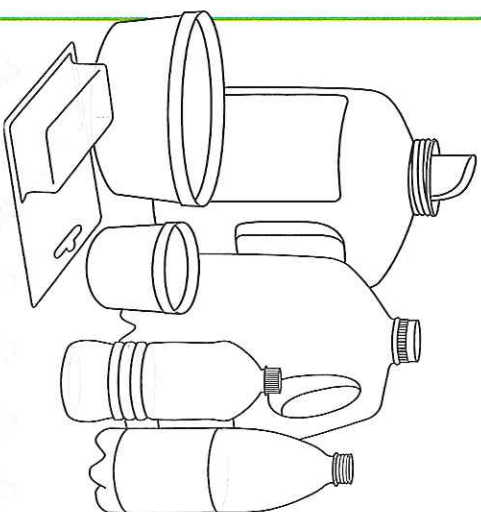
- ✔ If it tears, it's recyclable!
- ✔ Staples, tape and labels are OK.
- ✔ Shredded paper is OK
- ✘ No paper plates, cups or napkins



## Glass

Clear and colored glass bottles & jars, food and beverage containers.

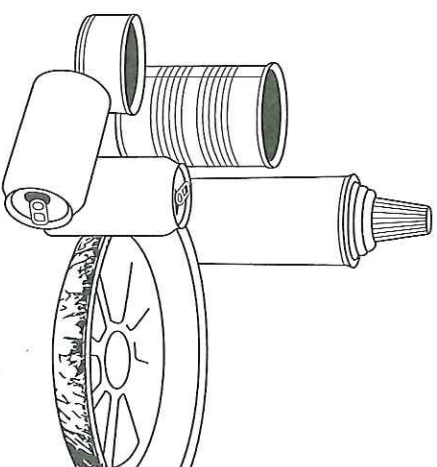
- ✔ Rinse clean. Labels are OK.
- ✘ No dishes, windows, or ceramics



## Plastic

Containers made from plastics #1 through #7, including bottles, jugs, blisterpacks, etc.

- ✔ Rinse clean. Labels are OK.
- ✘ No filmy plastic bags or wrappers.
- ✘ No household items or toys.
- ✘ No styrofoam, even if marked as 



## Metal

Aluminum, steel, and tin cans and foil packaging.

- ✔ Rinse clean. Labels are OK.
- ✔ Aluminum trays, plates, and foil OK
- ✔ Empty aerosol cans are OK.
- ✘ No scrap metal

Coloque los materiales reciclables en el contenedor de reciclaje. Los materiales reciclables incluyen papel, cartón, envases plásticos, latas, y botellas. Los materiales reciclables deben de ser enjuaguados antes de ser colocados en el contenedor de reciclaje.

# Frequently asked questions.

## Is this program mandatory?

Massachusetts prohibits the disposal of recyclables, including paper, cardboard, bottles, and cans. Your participation in this program will save our community valuable resources, money, and improve the environment.

## What kind of containers can be used?

You can use any container up to 35 gallons in size. There is no limit to the number of recycling containers you can place curbside. The containers should be clearly marked as containing recyclables.

## Do I need to clean items before putting them in my bin?

Your recyclables should be rinsed and clean of any food residue. All paper must be dry.

## Why aren't certain items accepted at curbside?

The materials recovery facility uses an automated system to sort and package the recyclables. Some items, such as plastic bags will jam the machinery. Material with food residue or grease cannot be recycled because of contamination.

## How can I recycle plastic bags?

Plastic bags of all types can be recycled at most supermarkets. Look for the recycling container near the checkout lines. Re-usable tote bags are a great way to avoid plastic bags entirely.

## Will the Recycling Center remain open?

Yes, The Haverhill Recycling Center at 500 Primrose Street accepts single-stream recyclables Wednesdays and Saturdays, 8AM - 1PM. Tires, scrap metal and appliances are accepted for a fee. Other items, such as yard waste, electronics, fluorescent light bulbs, some batteries and used motor oil are accepted at certain times. Please call for details.

## How can I get more information?

You can call **978-420-3816** with any questions. You can also visit [www.ci.haverhill.ma.us/recycling](http://www.ci.haverhill.ma.us/recycling) or [haverhillrecycles.org](http://haverhillrecycles.org).



James J. Fiorentini, Mayor



Credits:  
Produced by Team Haverhill  
in partnership with the City of Haverhill  
Design and illustration: Sproutreach

Las bolsas plásticas no pueden colocarse en el contenedor de reciclaje. La mayoría de supermercados reciclan las bolsas plásticas. Para obtener más información, llame al 978-420-3816. También nos pueden contactar por [www.ci.haverhill.ma.us/recycling](http://www.ci.haverhill.ma.us/recycling) o [haverhillrecycles.org](http://haverhillrecycles.org).